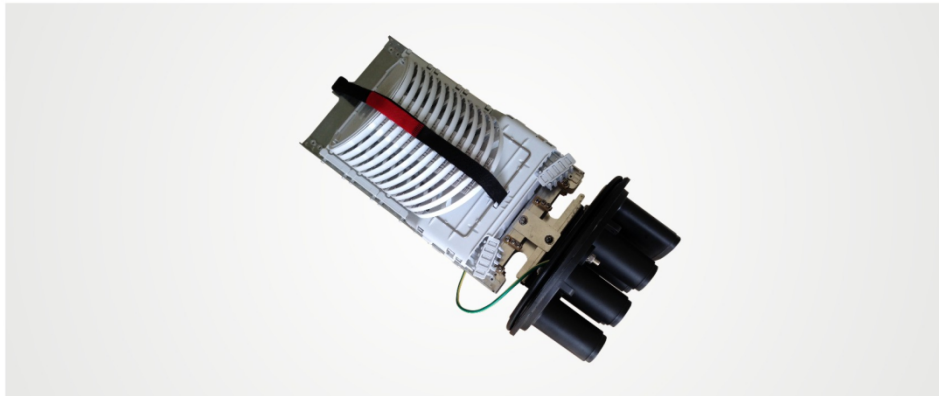
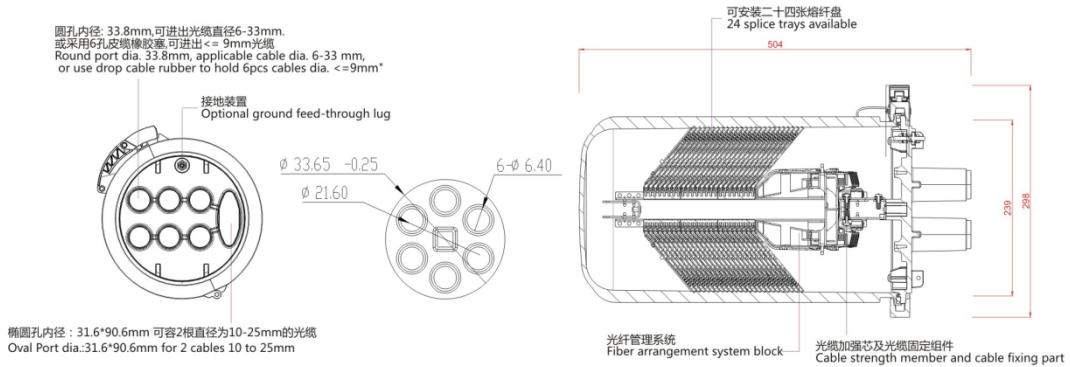




GP304-288



外型结构图/EXTERIOR STRUCTURE DIAGRAM



参数表/PARAMETER TABLE

型号 Model(Factory Code)	GJS03-M5AX-JX-288(GP 304)	GJS03-M5AX-RS-288(GP 304)
箱体材质 Material	PP	PP
适用光缆直径 (mm) Applicable Cable Dia	椭圆孔/ Oval port: 90.6X31.6 mm 圆孔橡胶塞/ Round port rubber block: 9 mm	椭圆孔/ Oval port: 90.6X31.6 mm 圆孔/ Round port : 33.8mm
入缆孔数量 Number of Entry Ports	1个椭圆孔, 6个含6个皮线缆出口的圆孔. 1 Oval port, 6 Round ports (with 6pcs drop cable outlets)	1个椭圆孔,6个圆孔 1 Oval port, 6 round ports
熔纤盘最大熔接数量 Max Capacity Of Splice Tray	12芯(单芯) 12 fibers (Single fiber)	12 芯(单芯) 12 fibers(single fiber)
最大熔接芯数 Max Capacity	288 芯 288 fibers	288 芯 288 fibers
密封方式 Sealing Method	机械密封 Mechanical Sealing	热缩密封 Heat shrink sealing
产品使用环境 Application Environment	架空、地理、管道 Aerial,Buried,Pipe-lined	架空、地理、管道 Aerial,Buried,Pipe-lined